



A.H. Systems, Inc.

9710 Cozycroft Ave.
Chatsworth, CA 91311



Tel: (818) 998-0223



sales@AHSystems.com

Fax: (818) 998-6892

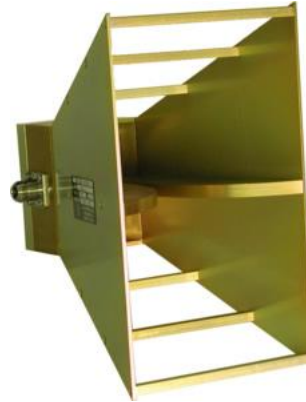


www.AHSystems.com

SAS-571

Double Ridge Guide Horn Antenna 700 MHz – 18 GHz

High gain, low VSWR, input handling capability up to 300 watts CW, and rugged design make this horn antenna excellent for both immunity and emissions testing.



Frequency Range: 700 MHz - 18 GHz
Antenna Factor: 22 to 44 dB
Gain (dBi): 1.4 to 15 dBi
Maximum Continuous Power: 300 Watts
Max Radiated Field: 200 V/m
Pattern Type: directional
3dB Beamwidth (E-Field): 48°
3dB Beamwidth (H-Field): 30°
Impedance: 50 Ω
VSWR: 1.6:1 (3.5:1 max)
Connector: N-Type, female
Mounting Base: 1/4 - 20 Thread, female

Features

- Broad Frequency Range of 700 MHz to 18 GHz
- Linearly Polarized High Gain, Low VSWR
- Individually Calibrated
- Three year Warranty

The SAS-571 Double Ridge Guide Horn Antenna is lightweight, compact and has been manufactured for maximum gain, low VSWR and broadband response. The double ridge guide horn antenna was initially designed for surveillance where a high gain broadband response was required. The original design was to have a 30-degree beamwidth, which is ideal for EMI measurements and compliance testing.

Recommended Accessories

- PAM-0118 (Preamplifier)
- SAC-18G-3 (3 Meter Low Loss Cable)
- SAC-18G-0.5 (0.5 Meter Low Loss Cable)



A.H. Systems, Inc.

9710 Cozycroft Ave.
Chatsworth, CA 91311



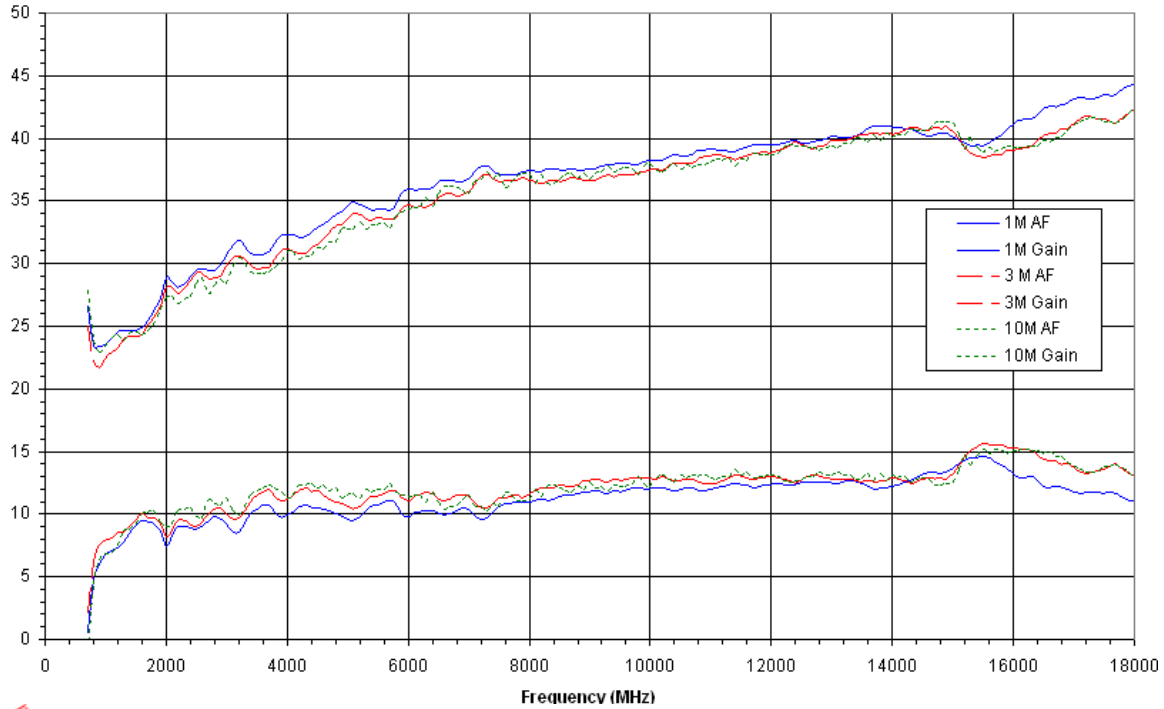
Tel: (818) 998-0223
Fax: (818) 998-6892

◆ sales@AHSystems.com
◆ www.AHSystems.com



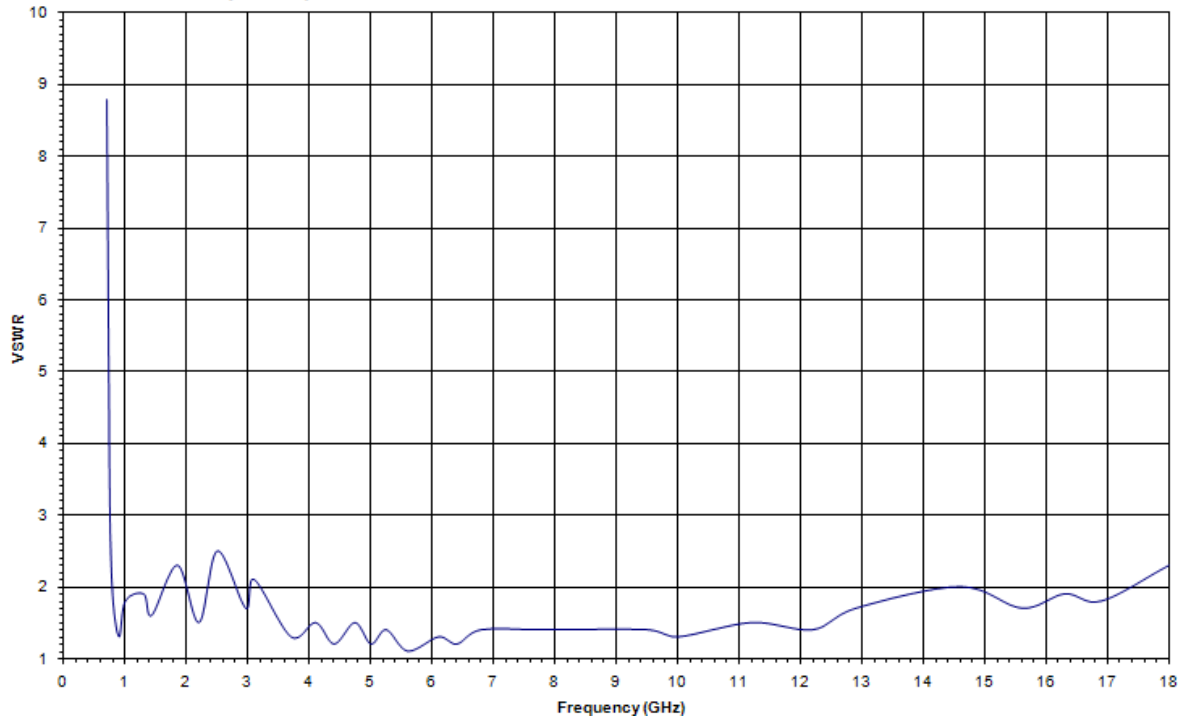
A.H. Systems Inc.
9710 Cozycroft Ave. Chatsworth, CA 91311
Phone (818) 998-0223 Fax (818) 998-6892
E-mail: sales@AHSystems.com
Web site: <http://www.AHSystems.com>

Double Ridge Guide
Horn Antenna
Model: SAS-571



A.H. Systems Inc.
9710 Cozycroft Ave. Chatsworth, CA 91311
Phone (818) 998-0223 Fax (818) 998-6892
E-mail: info@AHSystems.com
Web site: <http://www.AHSystems.com>

VSWR
Double Ridge Guide Horn Antenna
Model SAS-571





A.H. Systems, Inc.

9710 Cozycroft Ave.
Chatsworth, CA 91311



Tel: (818) 998-0223

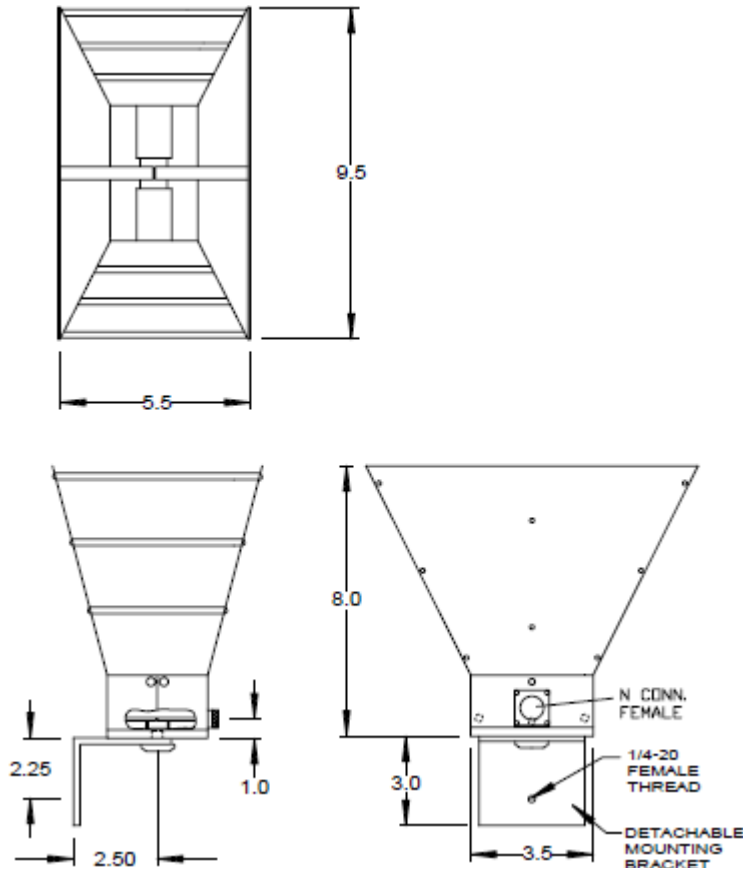


sales@AHSystems.com

Fax: (818) 998-6892



www.AHSystems.com



Physical Dimensions:

Length: 11.0 in. (27.9 cm)

Width: 5.6 in. (14.2 cm)

Height: 9.6 in. (24.4 cm)

Weight: 3.5 lb.'s (1.59 kg)

Aperture: 5.5" x 9.6" (13.9cm x 24.4cm)